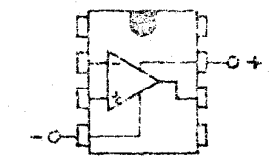
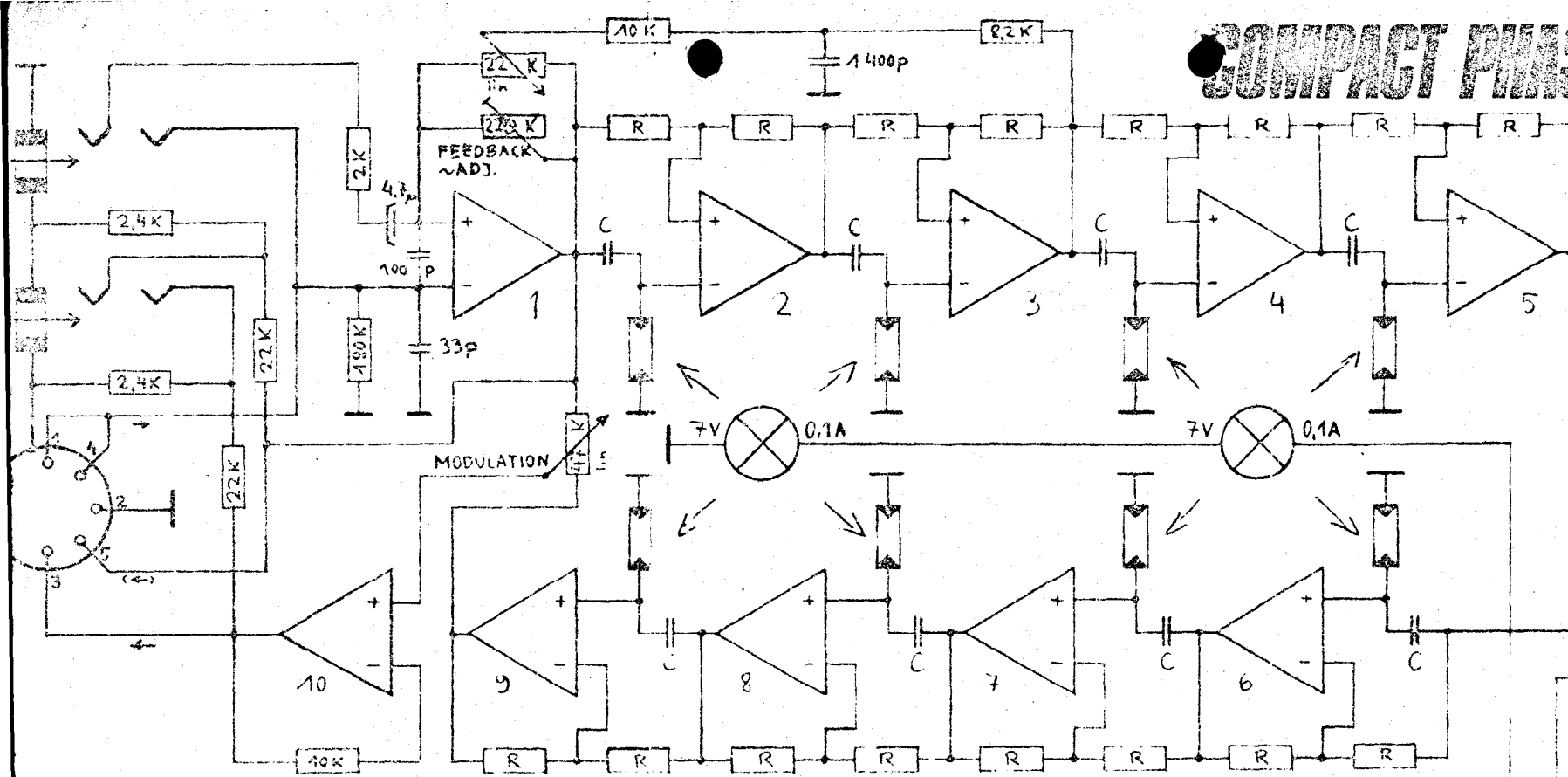


# COMPACT PHASING '71



μA741C  
 IC1-IC10 selected  
 IC11, IC12  
 IC13 = μA723C

LDR selected  
 C = 45...33 nF  
 R = 22K (15K)

